



**meeteq<sup>®</sup>**

Real taste of water

**Solenoid Valve**



# COMPANY PROFILE

Meera Trade Impex, founded in 2004, located at the fastest growing world famous Diamond and Textile city of surat, Gujarat State India. At present we are one of the leading companies who are specialized in importing, manufacturing and exporting Reverse Osmosis systems and components.

Meera Trade Impex had introduced full range of water purification products since the establishment of company through the best overseas manufacturing partners.

Meera Trade Impex is the first company who introduced 80GPD FS-TFC Membrane, POLO brand HEAD all over the India market and satisfied the customer's requirement. In view of our valuable and satisfied customers, with share queries and best research to the direct and users as well

During the past year experience to meet the requirement of customer we had introduced new range of MEETEC brand 50 Lph & 100 Lph from the year 2015. MEETEC Membranes are Made in Korea and are most reliable membranes with superior quality and high TDS removal capacity. We adopt the most advanced technology through the innovative idea, consistent pursuit production quality to develop and produce the RO membrane, RO pump, motor, pump head, PP spun filter, membrane housing and filter cartridge and its elements.

Meera Trade Impex is the unique company in this country that provides the widest brand ranges with the best a vailable technology through the direct overseas manufacturing partners. We are capable for consistent and continuous improvement to develop full range of products. As the direct Importer and with global partners, we have the advantage to offer extremely competitive prices.



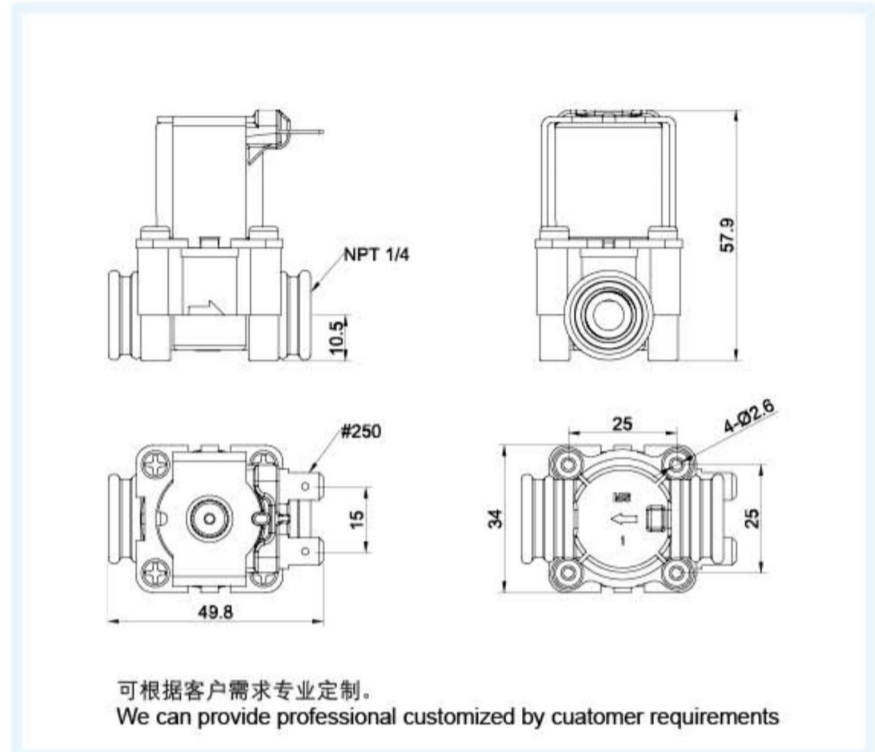


## FPD360K 进水电磁阀

### 性能参数 FUNCTION PARAMETERS

额定电压 Rated Voltage	DC12V 24V 36V AC110V 220V 50/60Hz
适用水压 Pressure Range	0.02~0.8Mpa
使用寿命 Operate Life	≥ 100000 次 OPS
安装间距 Spacing	25x25mm
进水口 Inlet	NPT 1/4 内螺纹
出水口 Outlet	NPT 1/4 内螺纹

### 尺寸图 DIMENSIONS



### 流量特性 FLOW CHARACTERISTIC

水压 Hydraulic Pressure	0.3MPa
流量 Flow Rate	> 3L/min

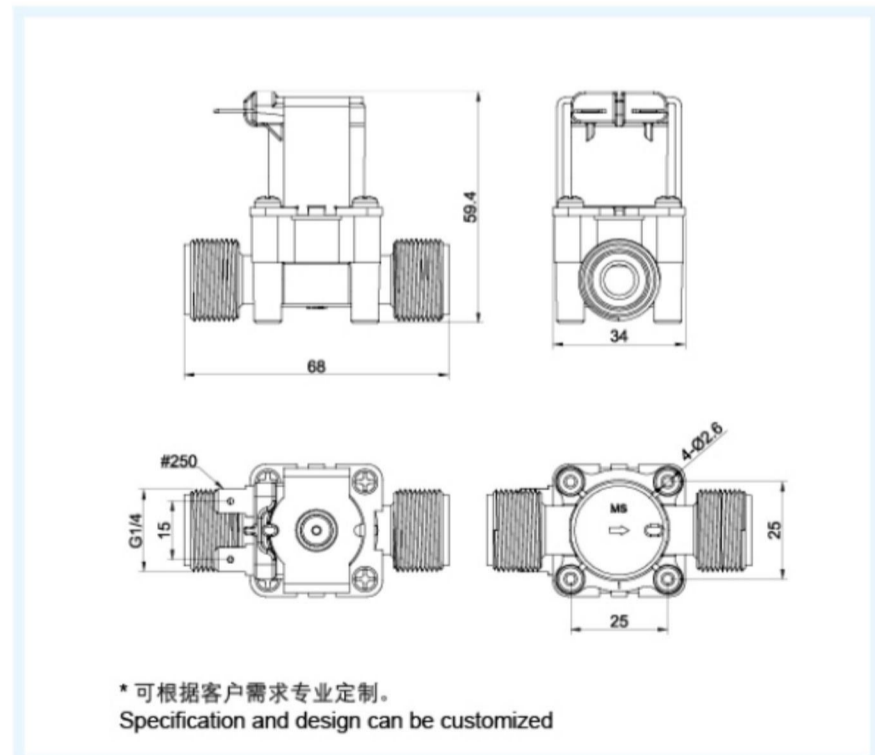


## FPD360L20 进水电磁阀 Inlet solenoid valve

### 性能参数 FUNCTION PARAMETERS

额定电压 Rated Voltage	DC12V 24V 36V AC110V 220V 50/60Hz
适用水压 Pressure Range	0.02~0.8Mpa
使用寿命 Operate Life	≥ 100000 次 OPS
安装间距 Spacing	25mm*25mm
进水口 Inlet	G1/2 外螺纹 external thread
出水口 Outlet	G1/2 外螺纹 external thread

### 尺寸图 DIMENSIONS



### 流量特性 FLOW CHARACTERISTIC

水压 Hydraulic Pressure	0.3MPa
流量 Flow Rate	> 5L/min



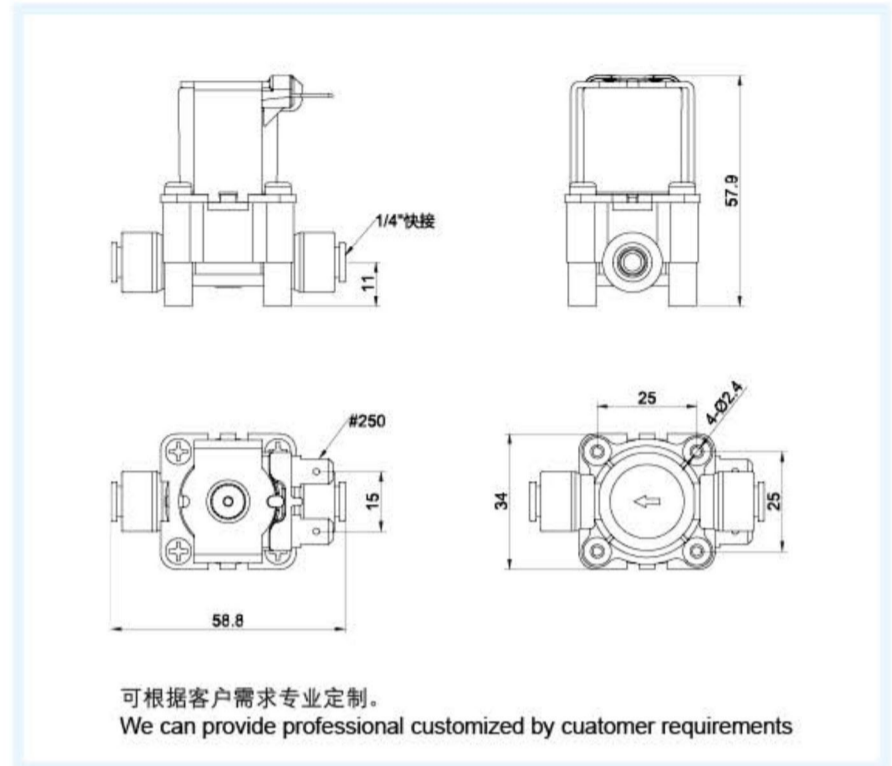


## FPD360A 进水电磁阀

### 性能参数 FUNCTION PARAMETERS

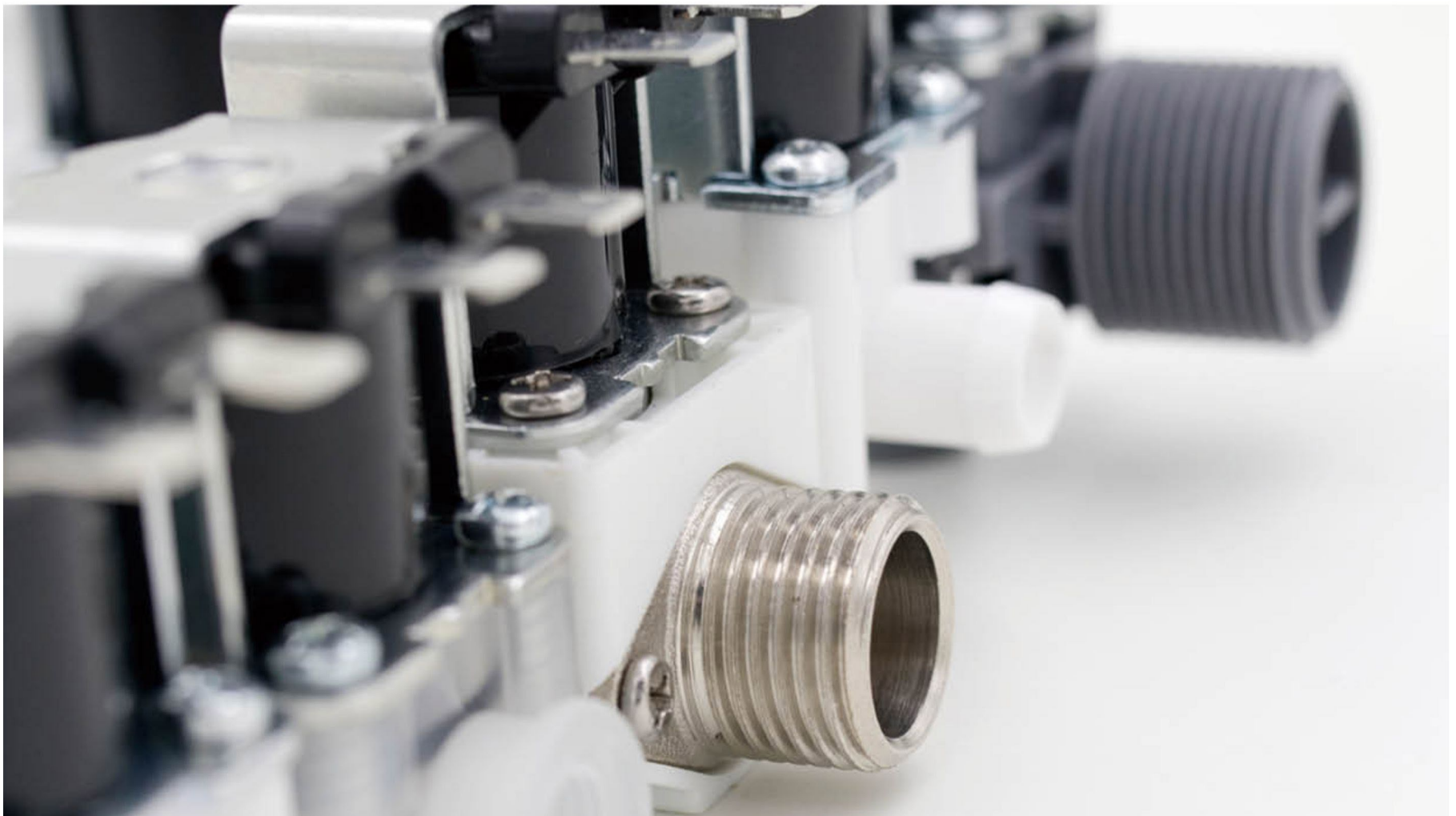
额定电压 Rated Voltage	DC12V 24V 36V AC110V 220V 50/60Hz
适用水压 Pressure Range	0.02~0.8MPa
使用寿命 Operate Life	≥ 100000 次 OPS
安装间距 Spacing	25x25mm
进水口 Inlet	1/4" 快接
出水口 Outlet	1/4" 快接

### 尺寸图 DIMENSIONS



### 流量特性 FLOW CHARACTERISTIC

水压 Hydraulic Pressure	0.3MPa
流量 Flow Rate	> 3L/min







**ATTRACTIVE  
PACKAGING**



**CUSTOMER  
SUPPORT**



**100%  
QUALITY**



**FAST  
DELIVERY**



**MEETEC®**

*Real taste of Water*

**HEAD OFFICE :**

**SURAT, GUJARAT.**

PRADIP +91 96243 54445

RAVI +91 99243 54445

**BRANCH OFFICE :**

**Ahmedabad, (Guj.)**

SANJAY +91 98249 54445

**BRANCH OFFICE :**

**RAIPUR, (C.G).**

YOGESH SAHU +91 74707 67004

✉ [fstfc100@gmail.com](mailto:fstfc100@gmail.com) 🌐 [meeratradeimpex.com](http://meeratradeimpex.com) 📞 +91 99259 54445

Follow Us On   